


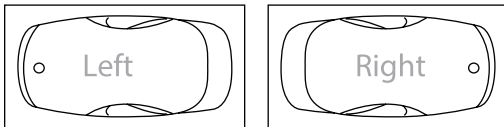
### Cancun Eagle 60x32" Skirted Bathtub

#### Features

- Made in Canada 
- White finish
- Single tiling flange
- Lumbar back rest positions
- Molded-in armrests with elbow supports
- Accessory deck area
- Pre-leveled tub bottom



#### Water Depth 14"



#### Water Jetting Systems (optional)

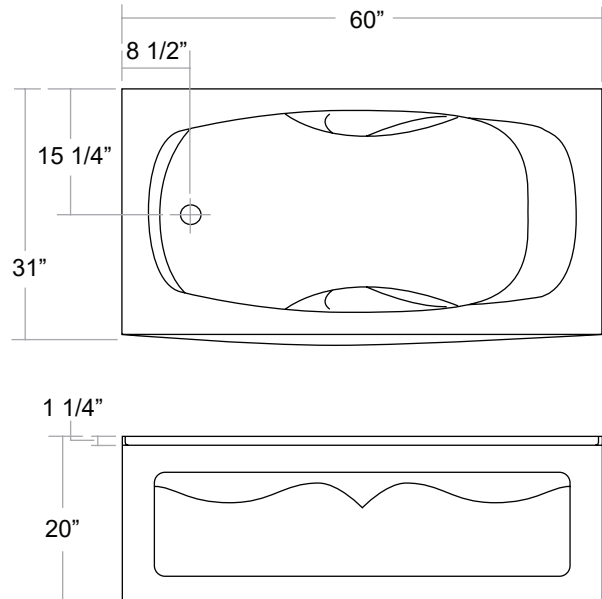
| Description                     | White   | Chrome   | Brushed Nickel |
|---------------------------------|---------|----------|----------------|
| <b>4 Jets</b>                   | J4W-JET | J4CH-JET | J4BN-JET       |
| <b>6 Jets</b>                   | J6W-JET | J6CH-JET | J6BN-JET       |
| <b>8 Jets</b>                   | J8W-JET | J8CH-JET | J8BN-JET       |
| Sideline Bubble Massage Therapy |         |          | JBM            |
| Inline Water Heating System     |         |          | JIH            |
| Chromotherapy Therapy           |         |          | JCT            |

#### Codes/Standards

CAN/CSA B45S1-04  
CAN/CSA B45.5-02  
Intertek 16397

#### 5-Year Limited Warranty

See website for more warranty information.



For the latest Specification Sheet,  
visit [www.hitechacrylic.com](http://www.hitechacrylic.com) or call Customer Care: **1.855.231.9592**

