

Daytona VIII Bolt Series 60x42" Drop-in Bathtub

Features

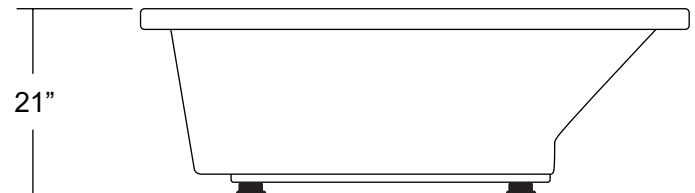
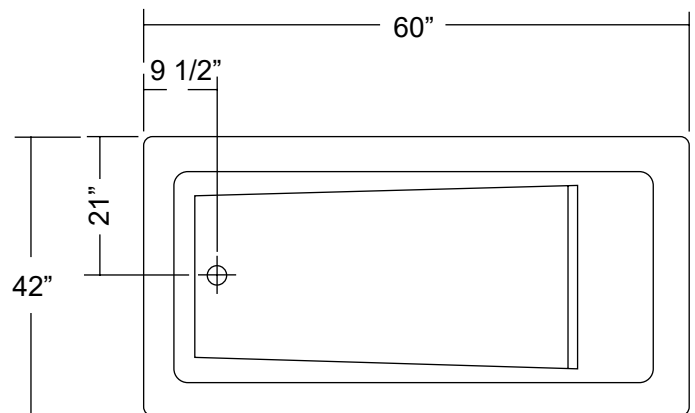
- Made in Canada 🇨🇦
 - White finish
 - Reinforced acrylic construction
 - Molded backrest and lumbar support
- *Bathtub Drains are not included



Water Depth N/A

Water Jetting Systems (optional)

Description	White	Chrome	Brushed Nickel
4 Jets	J4W-JET	J4CH-JET	J4BN-JET
6 Jets	J6W-JET	J6CH-JET	J6BN-JET
8 Jets	J8W-JET	J8CH-JET	J8BN-JET
Sideline Bubble Massage Therapy			JBM
Inline Water Heating System			JIH
Chromotherapy Therapy			JCT



Codes/Standards

CAN/CSA B45S1-04
CAN/CSA B45.5-02
Intertek 16397

5-Year Limited Warranty

See website for more warranty information.

For the latest Specification Sheet, visit www.hitechacrylic.com or call Customer Care: **1.855.231.9592**

Manufactured by Hi-tech Acrylic Products Inc. #202-13140 80 Ave., Surrey, British Columbia Canada V3W 3V2
Dimensions are not exact and may vary $\pm 1/4"$ (6mm). Specification and measurements are subject to change without prior notice.