


### Gemini I 60x32" Drop-in Bathtub

#### Features

- Made in Canada 
  - White finish
  - Reinforced acrylic construction
  - Molded backrest and lumbar support
  - With handrest
- \*Bathtub drains sold separately

**Water Depth** N/A



#### Water Jetting Systems (optional)

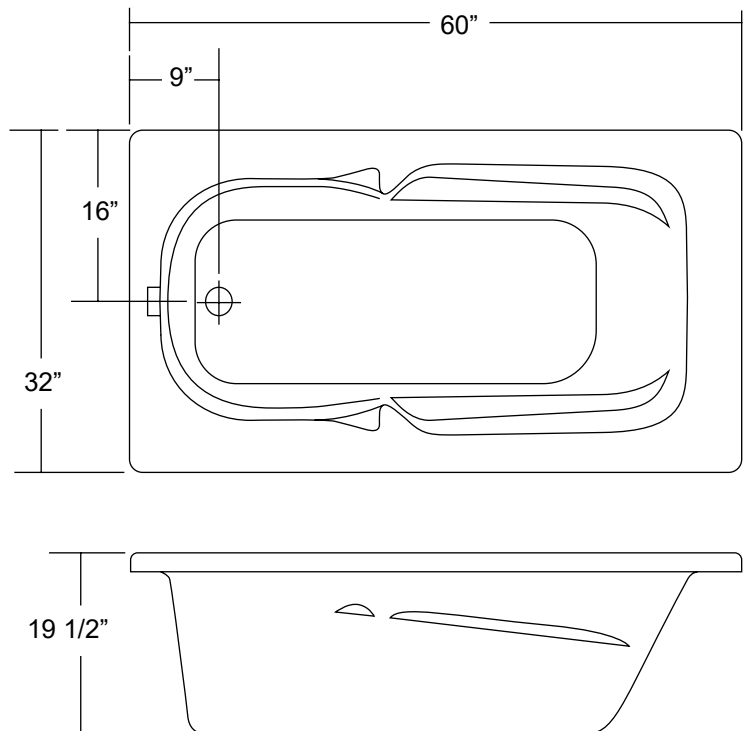
Description	White	Chrome	Brushed Nickel
<b>4 Jets</b>	J4W-JET	J4CH-JET	J4BN-JET
<b>6 Jets</b>	J6W-JET	J6CH-JET	J6BN-JET
<b>8 Jets</b>	J8W-JET	J8CH-JET	J8BN-JET
Sideline Bubble Massage Therapy			JBM
Inline Water Heating System			JIH
Chromotherapy Therapy			JCT

#### Codes/Standards

CAN/CSA B45S1-04  
CAN/CSA B45.5-02  
Intertek 16397

#### 5-Year Limited Warranty

See website for more warranty information.



For the latest Specification Sheet,  
visit [www.hitechacrylic.com](http://www.hitechacrylic.com) or call Customer Care: **1.855.231.9592**

Manufactured by Hi-tech Acrylic Products Inc. #202-13140 80 Ave., Surrey, British Columbia Canada V3W 3V2  
Dimensions are not exact and may vary  $\pm 1/4"$  (6mm). Specification and measurements are subject to change without prior notice.